

**SPOTLIGHT**

# OUTDOOR CUSHION

N° 02.23.04  
PROJECT SHEET



*It's what you make it.*

**SHOW US WHAT  
YOU'RE MAKING**

 /spotlightstores

 @spotlightstores

## OUTDOOR CUSHION

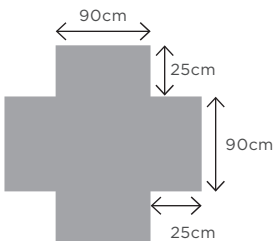
**e** EASY

### WHAT YOU'LL NEED

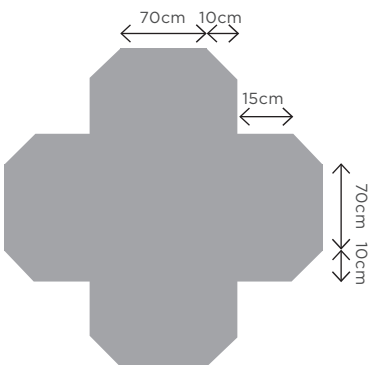
- Fern weatherproof canvas fabric
- Ruler
- Chalk
- Scissors
- Sewing machine
- 91cm x 91cm x 16cm sponge
- 220cm nylon size 3 zipper

### INSTRUCTIONS

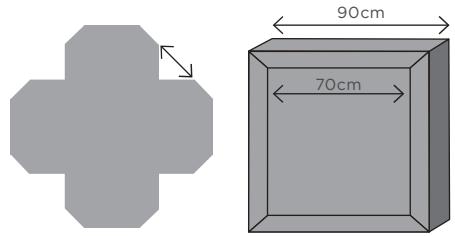
**Step 1** - Prepare your fabric. Start by cutting the fabric into a square 115cm x 115cm. Then crop the four corners 23cm x 25cm creating a plus shape.



**Step 2** - Measure and cut eight angles of 10cm x 10cm triangles.

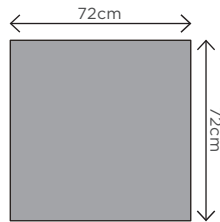


**Step 3** - Start sewing the 15cm side followed by the 10cm adjacent edges.



**Step 4** - Cut the 72cm x 72cm fabric

Note - The size can be changed according to the sewing width and must be more than 2cm larger than the actual measured size



**Step 5** - Sewing the top cover and lower base cloth together, sewing on one edge directly, the other three sides are zipped up for closure.

**Step 6** - Insert the cushion into the covers you've just made and enjoy!